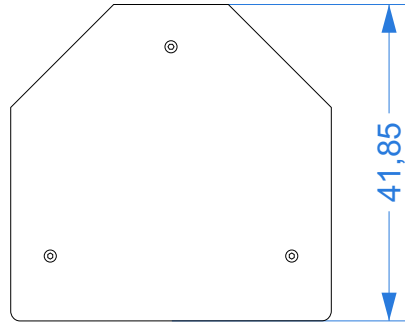


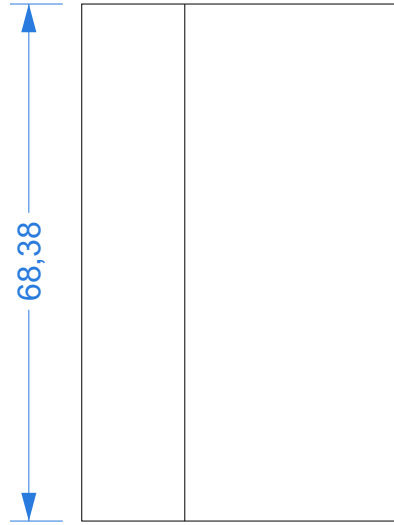


CP 15

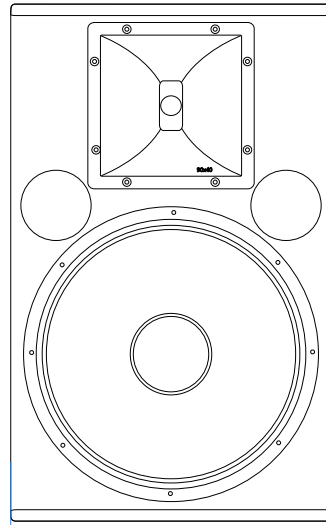
DIMENSION



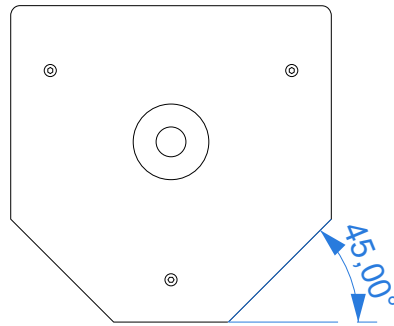
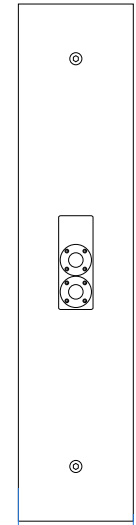
SIDE



FRONT



REAR



BOTTOM

DESCRIPTION

The CP15 is a multi-function compact loudspeaker for mobile and fixed installation applications, especially where high SPL is needed. CP15 can be used for main PA system or as a floor monitor.

A 15" LF Ferrite transducer and a 1,5" compression driver on rotatable horn produces a maximum output of 130 dB SPL. The extraordinary power handling capability of this system means that it can comfortably and reliably reproduce a range of program setups with very low distortion and power compression. The pilotage need only one amplifier channel, the frequency splitting being accomplished by the low-loss passive filter passive crossover network inside the enclosure engineered manufactured with top grade components, including coils with very low resistance and metalized polypropylene capacitors. It also features circuitry to protect the HF component against excessive current and voltage. The cabinet is from Baltic birch features craftsmanship protected by an epoxy powder coated, resonance-free steel grill over acoustically transparent foam. Every cabinet is coated with a high-tech black textured polywater scratch free finish and custom RAL is possible on request. The system includes mounting hardware, compatible with various separately available mounting brackets.

FACILITIES

Auditorium, concert halls, houses of worship, shopping centers, conference rooms, sport facilities, retail stores, industrial, commercial and leisure projects, pubs, bars and cafes, small theatrical installations, schools malls hotels.

APPLICATIONS

Main PA Systems, Monitor System, Delay and Stage fill.

PERFORMANCE

- Frequency Response -10 dB 45 Hz – 20 kHz
- Nominal Dispersion 90° x 40° (H x V)
- Impedance (Nom) 8 Ω
- Watts AES Continuous 550 W/Peak 1700 W
- Maximum SPL Output calculated 130 dB SPL

PHYSICAL

- Component Low 15" woofer
- Component High 1.5" diaphragm compression driver
- Loading Low Bass-reflex
- Loading High 1" Rotable Horn
- Connectors 2x NL4 PAR Pins 1+/1-
- Cabinet Material Baltic birch plywood
- Cabinet Finish Black polywater coating
- Grill Epoxy powder coated
- Installation Points 8 X M8
- Pole Mount 35 mm socket
- Height 684 mm
- Width 423mm
- Depth 418 mm
- Weight 25 kg