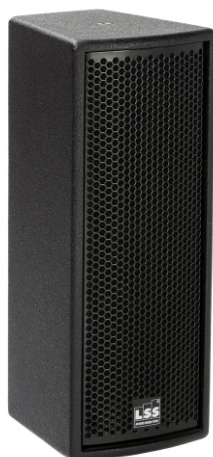


MIL130

COMPACT 2-WAY LOUDSPEAKER SYSTEM



- Dual 5" LF in Vented Enclosure
- 1" Compression driver with Conical Horn
- Ultra-Compact Passive 2 -Way System
- Trapezoidal Cabinet
- Fly Mounting Points and U Bracket Included
- Powering Mode: Full Range Passive
- For Touring or Permanent Installation

Product Information

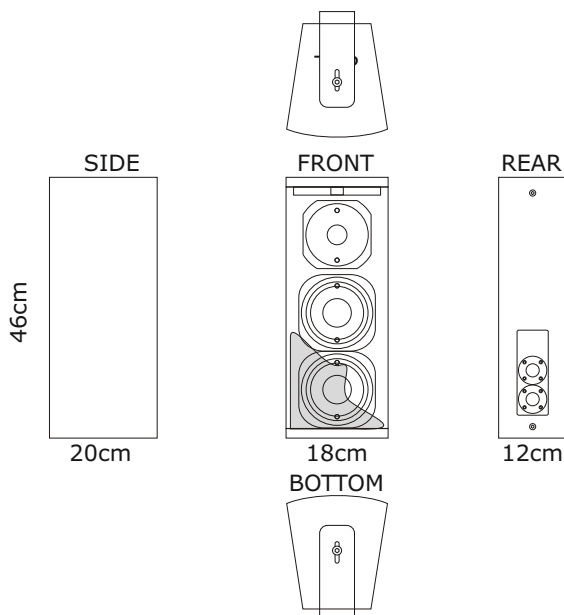
2-WAY full-range loudspeaker system in compact trapezoidal enclosure. It includes dual 130 mm (5") woofers and a 26 mm (1") driver on conical horn. MIL 130 is designed to work in full-range mode. LSS's advanced crossover includes Poliswitch professional protection of HF. MIL 130 is designed for exceptional performance in the near-field from a compact enclosure. Very effective as a fill / delay element in larger overall systems or for foreground / background music reproduction. It is also ideal for distributed system. The comprehensive system mounting points permit safe suspension in permanent installations.

Data Sheet

Frequency Response	±5 dB 70 Hz ~ 20 KHz -10 dB 60 Hz
Sensitivity (1 Watt @ 1 m)	91 dB
Max SPL Calculated (Power AES) [PEAK]	114 dB [118 dB]
Nominal Input Impedance (Ω)	16 Ω
Power Handling (Watts Cont. AES) [PEAK]	200 W [500 W]
Nominal Dispersion (@ -6 dB)	80° (H) x 80° (V)
Dimensions mm (±1 mm) (H x W x D)	460 x 180 x 200
Weight	8 Kg

Enclosure Material

- Enclosure Material: Birc Plywood of 12 mm
- Finish: Texture Polyurethane Black Paint
- Suspension: 4 Point Mounting Suspension M8 and U Bracket System Included
- Grille: Powder Coated Perforated Steel with anti-dust foam
- Connectors: 2 Neutrik NL4 Speakon
- Optional Accessories : Fly Clip with Ring, Flight Case on Wheels for 4 or 8 MIL130



INSTALL | EVENTS | PORTABLE