



- 18" Reflex Subwoofer System
- Pole Mount Cup Included
- Powering Mode: Passive with external Digital Processor
- For Touring Use or Permanent Installation

Product Information

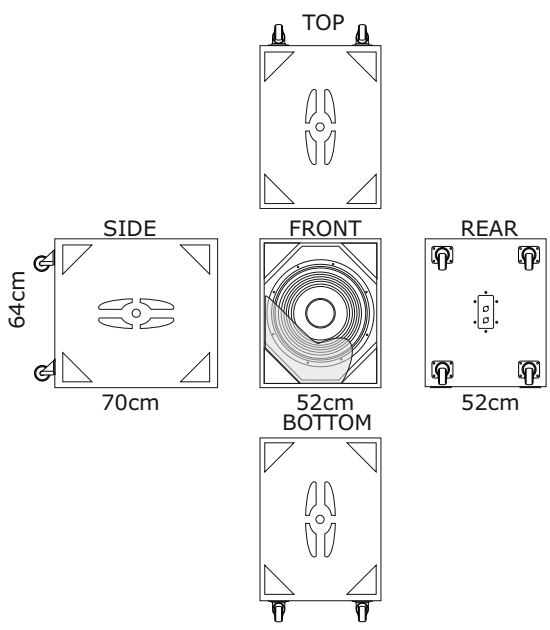
OCTO18 provides high output, low distortion sound reinforcement and is designed for wide-range of professional applications. OCTO18 enclosure uses one woofer of 460 mm (18") very high excursion cone with 100 mm (4") voice coil of New Technology Split Winding and Neodymium magnet structure, 57 mm peak-to-peak excursion before damage, double silicone spider with optimized compliance, ventilated voice coil gap for reduced power compression, aluminium demodulating ring for very low distortion, high performances and very high peak output for concert sound. The woofer is mounted in a reflex box hard and reinforced with 18 mm. OCTO18 powering mode is only passive with external Digital Processor. The cabinet configuration permit the vertical and horizontal positioning.

Enclosure Material

- Enclosure Material: Birch Plywood of 18 mm
- Finish: Texture Polyurethane Black Paint
- Grille: Powder Coated Perforated Steel with anti-dust foam
- Connectors: 2 Neutrik NL4 Speakon

Data Sheet

Frequency Response	±5 dB 40 Hz ~ 150 Hz -10 dB 30 Hz
Sensitivity (1 Watt @ 1 m)	97 dB
Max SPL Calculated (Power AES) [PEAK]	129 dB [135 dB]
Nominal Input Impedance (Ω)	8 Ω
Power Handling (Watts Cont. AES) [PEAK]	1500 W [7000 W]
Nominal Dispersion (@ -6 dB)	360°
Dimensions mm (±1 mm) (H x W x D)	640 x 520 x 700
Weight	52 Kg



INSTALL | CONCERT HALL | STADIUM | TOURING