

QREX

HORN LOADED LONG-THROW LOUDSPEAKER SYSTEM



- Arrayable Coaxial Horn System
- 3" HF on Horn 60° x 40° coaxl
- 12 LF on Reflex Horn 60° x 40° coax Enclosure
- Powering Mode: Full-Range Passive
- For Touring or Permanent Installation

Product Information

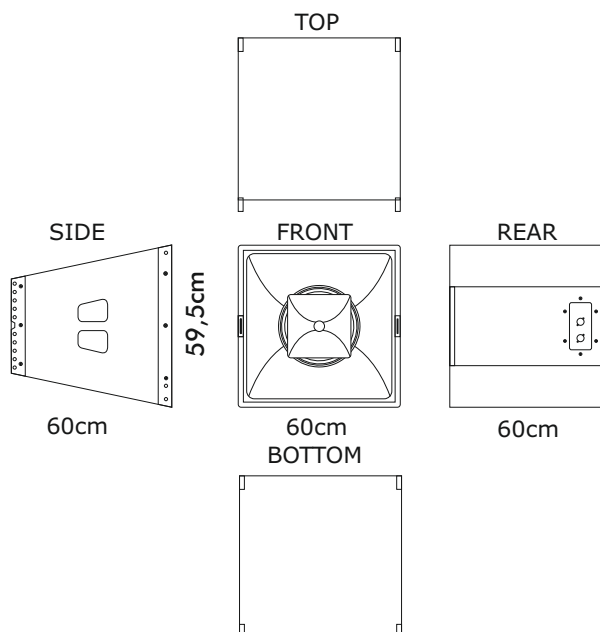
2-WAY Vertical Arrayable Coaxial Horn loudspeaker of high output and low distortion. Ideal for medium to long-throw applications. This system is designed for high performance and very high peak output for concert sound and big event of disco music, also ideal for any permanent install application. The trapezoidal cabinet, constructed with 18 mm birch plywood and coated polyurethane paint, has been thought for Array concept installation and allows inclination steps of 5 degrees thanks to the included hardware. The powering mode is full range passive with input and link of NL4 type connectors.

Data Sheet

Frequency Response	±2.5 dB 90 Hz ~ 20 KHz -10 dB 65 Hz
Sensitivity (1 Watt @ 1 m)	Full Range 101 dB
Max SPL Calculated (Power AES) [PEAK]	129 dB [133 dB]
Nominal Input Impedance (Ω)	LF 8 Ω HF 16 Ω
Power Handling (Watts Cont. AES) [PEAK]	Full Range 700 W [1420W]
Nominal Dispersion (@ -6 dB)	60° (H) x 40° (V)
Dimensions mm (±1 mm) (H x W x D)	595 x 600 x 600
Weight	43 Kg

Enclosure Material

- Enclosure Material: Birch Plywood of 18 mm
- Finish: Texture Polyurethane Black Paint
- Fly Hardware Array Concept Included
- Grille: Powder Coated Perforated Steel
- Connectors: 2 Neutrik NL4 Speakon
- Optional Accessories: Skate on Wheels, Coupling and Suspension Hardware



ARENA | CONCERT HALL | CLUB | LIVE | TOURING