

SM1

COMPACT 2-WAY STUDIO MONITOR SYSTEM



- 6" Ferrite LF in Vented Enclosure
- 1.1" Neodymium Soft Dome Tweeter
- Powering Mode: Full Range or Bi-Amp (with Internal Passive Crossover)
- For Portable Use or Permanent Installation

Product Information

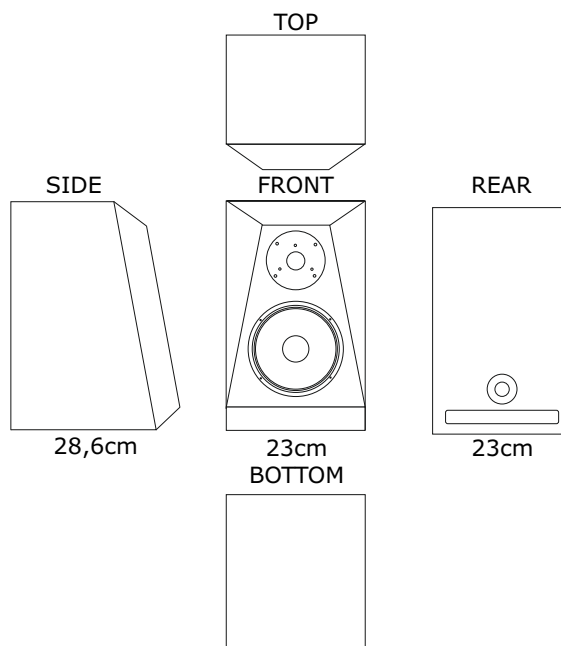
SM1 is a near-field sound monitoring designed to support the widest range of studio monitor applications. Ultra flat frequency response and physical phase alignment assure a precise reference for pro audio applications. SM1 is a 2-way system comprising a 160 mm (6") Ferrite LF, 1.5" voice coil Kapton former, Progressive spider, Rubber surround with DAR technology, a 28 mm (1.1") silk treated soft dome Neodymium HF, 1.1" voice coil aluminium former and flat aluminium wire with additional damping treatment, cooling radiator to reduce power compression and damped rear chamber. LSS's advanced crossover includes professional protection of HF. Powering mode full range passive with internal crossover filter network, on request Bi-Wiring passive mode.

Enclosure Material

- Enclosure Material: MDF 60 mm + MDF 20 mm
- Finish: Natural Wood Texture
- Connectors: 1 Neutrik NL4 Speakon
- Optional Accessories: Flight case

Data Sheet

Frequency Response	±5 dB 50 Hz ~ 20 kHz -10 dB 45 Hz
Sensitivity (1 Watt @ 1 m) Max SPL Calculated	90 dB 112 dB
Nominal Input Impedance (Ω)	8 Ω
Power Handling (Watts Cont. AES) Peak Power	150 W 600 W
Nominal Dispersion (@ -6 dB)	90°(H) x 90°(V)
Dimensions mm (±1 mm) (H x W x D)	386 x 230 x 286
Weight	8,7 Kg



INSTALL | STUDIO | MONITOR